

KBZ®

www.folangsiforklift.com

ELECTRIC PALLET TRUCK

电动托盘搬运车

KBZ KBZ KBZ KBZ KBZ KBZ KBZ KBZ KBZ KBZ KBZ KBZ KBZ

CBD20-XN

简约而不简单
2000Kg

- ▶ Mechanical Steering—Economic, comfortable, more reliable.
- ▶ AC Driving System—Low noise, quiet, without carbon brush and free maintenance.
- ▶ Electric Lifting—Rapid, efficient, electricity limit switch is STD.
- ▶ Short Wheelbase—Small turning radius, suitable for narrow space.
- ▶ Excellent Design—Easily in out of the double tray.
- ▶ Energy Conservation—Save energy, every day only 5KWh.
- ▶ AC Controller—Stepless strong power multiple automatic protection

- ▶ 机械转向—舒适、经济、更可靠；
- ▶ 立式驱动—低噪、静音、无碳刷、免维护；
- ▶ 电起升—快速、高效、标配起升限位装置；
- ▶ 轴距短—转弯半径小，适合狭窄空间运行；
- ▶ 卓越设计—轻松进出双面托盘；
- ▶ 节能—低能耗，每天仅需5度电；
- ▶ 交流控制器—无级调速、动力强劲、多重自动保护。



Electric Pallet Truck Expert

KBZ®

www.folangsiforklift.com

ELECTRIC PALLET TRUCK

电动托盘搬运车

KBZ KBZ KBZ KBZ KBZ KBZ KBZ KBZ KBZ KBZ KBZ KBZ KBZ

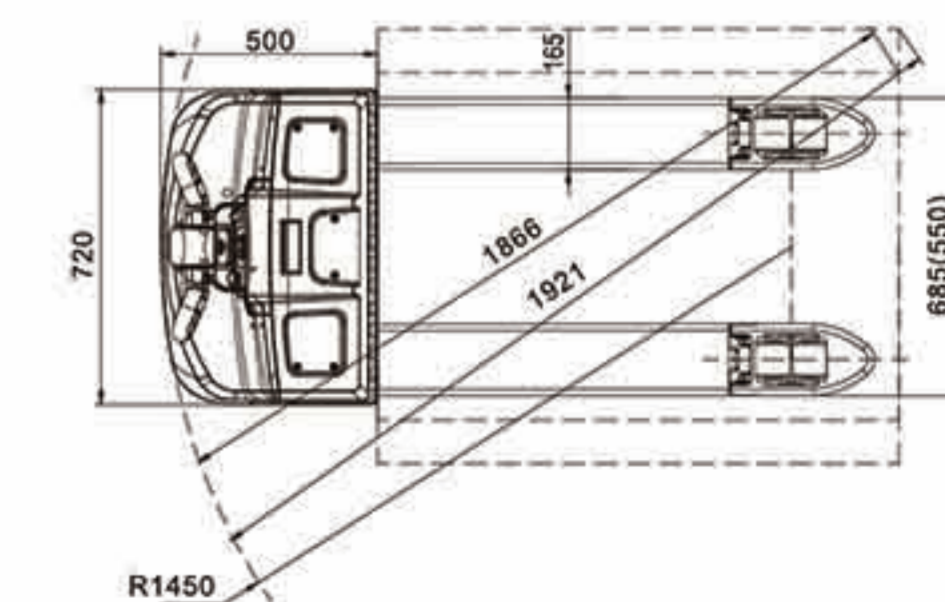
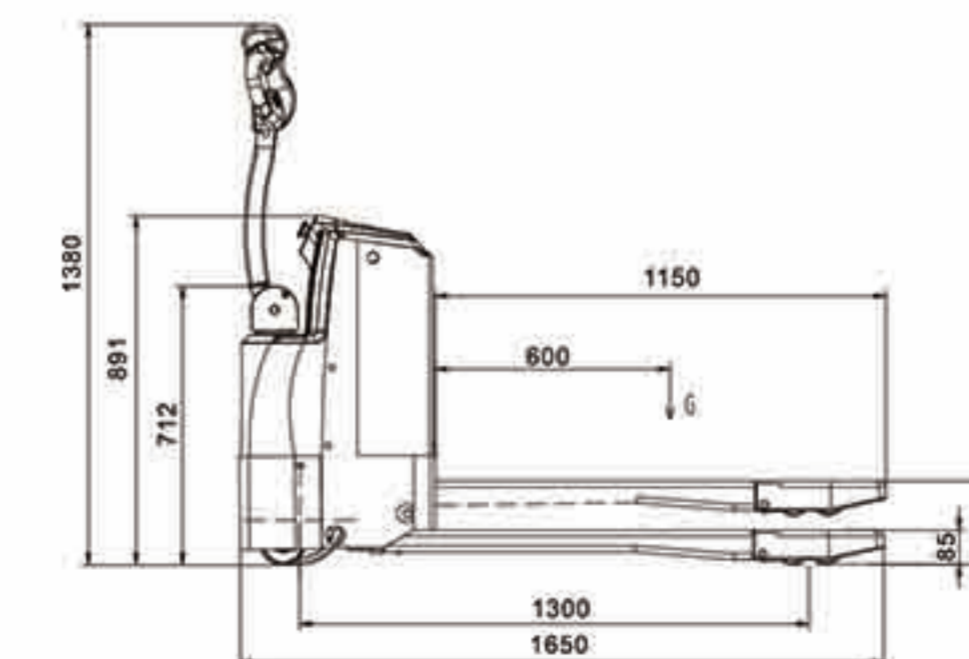
SPECIFICATION

详细说明

	Unit	
Feature 特性	Model 型号	CBD20-XN
	Configuration No. 配置号	180
	Load capacity 额定载重	kg 2000
	Load center 载荷中心距	mm 600
	Wheel basenler 轴距	mm 1300
	Operating type 操作类型	Walkie/Stand On
	Wheels type 车轮类型(前/后)	PU
Wheels 车轮	Wheel quantity Driving wheel/Balance wheel/Bearing wheel 驱动轮/平衡轮/承重轮数量	1/1/4
	Driving wheel size 驱动轮尺寸	mm $\phi 228 \times 75$
	Bearing wheel size 承重轮尺寸	mm $\phi 84 \times 80$ (Double Pulley)
	Balance wheel size 平衡轮尺寸	mm $\phi 115 \times 55$
Dimension 尺寸	Lowered fork height 货叉最低离地高度	mm 85
	Max. lifting height 货叉最大起升高度	mm 200
	Max. lifting Route 最大起升行程	mm 115
	Outside width between forks 货叉外侧间隙	mm 550/600/685
	Fork Length 货叉长度	mm 1150/1200
	Fork width 货叉宽度	mm 165
	Fork thickness 货叉厚度	mm 55
	Overall length 整车全长	mm 1650
	Overall width 车体宽度	mm 725
	Overall height(with handle) 整车高度(含手柄)	mm 1380
	Overall height(without handle) 整车高度(不含手柄)	mm 890
	Min.Turning radius 最小转弯半径 踏板收起/放下	mm 1450
	Min.Aisle width for pallets 800 x 1200 最小直角堆垛通道宽度	mm 1866
	Min.Aisle width for pallets 1000 x 1200 最小直角堆垛通道宽度	mm 1921
Performance 性能	Travel speed,laden/unladen 最大行驶速度 满载/空载	km/h 3.5/4.0
	Lift speed,laden/unladen 最大起升速度 满载/空载	mm/s 20/25
	Travel speed,laden/unladen 最大下降速度 满载/空载	mm/s 40/30
	Gradeability,laden/unladen 爬坡速度 满载/空载	% 5/7
Electrical configuration 电气配置	Drive motor 驱动电机	KW AC0.93
	Lift motor 起升电机	KW DC1.2
	Steering motor 转向电机	KW /
	Battery voltage/capacity 蓄电池电压/容量	V/Ah 24/210
	Brake 制动	Electromagnetic/Regenerative
	Controller 控制器	ZAPIACO
Weight 重量	Battery weight 蓄电池重量	kg 190
	Service weight with battery 自重(包含蓄电池)	kg 585

DIMENSION DRAWING

外形尺寸图



FOLANGSI MACHINE CO., LTD.

Tel.:020-39993595 Fax:020-39993597

E-mail:admin@folangsiforklift.com

KBZ®